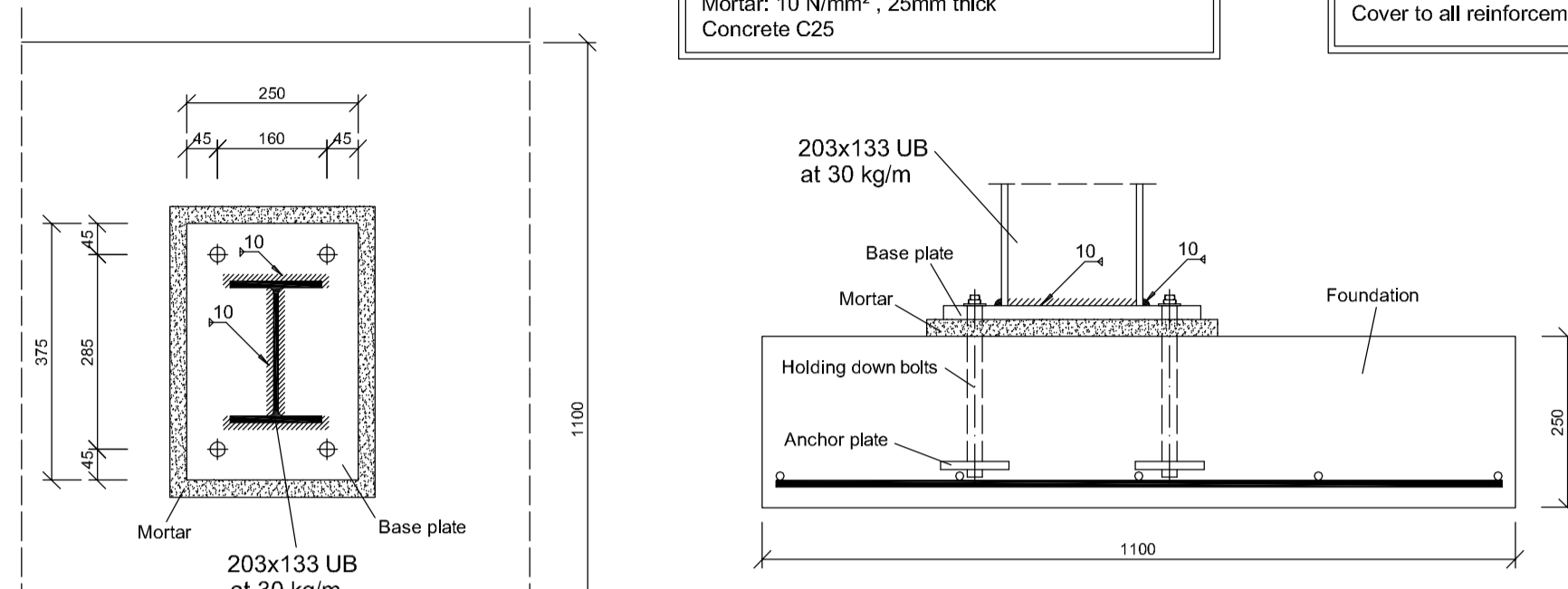


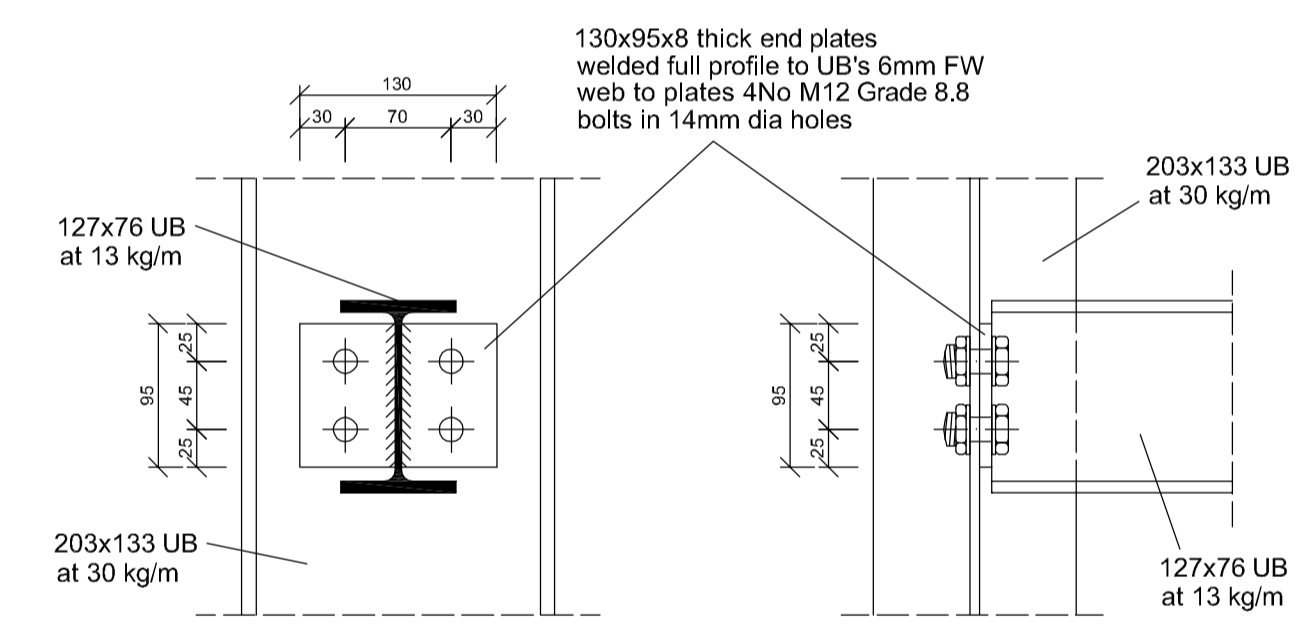
STEEL FRAME

Notes:
 Base plate: 375x250x20mm Grade S275
 4No. M22 (Grade 4.6) x 220mm long, hole dia 28mm
 120x120x15mm Anchor plates
 Column: 203x133x30kg/m UB
 Weld leg length: 10 mm
 Mortar: 10 N/mm², 25mm thick
 Concrete C25

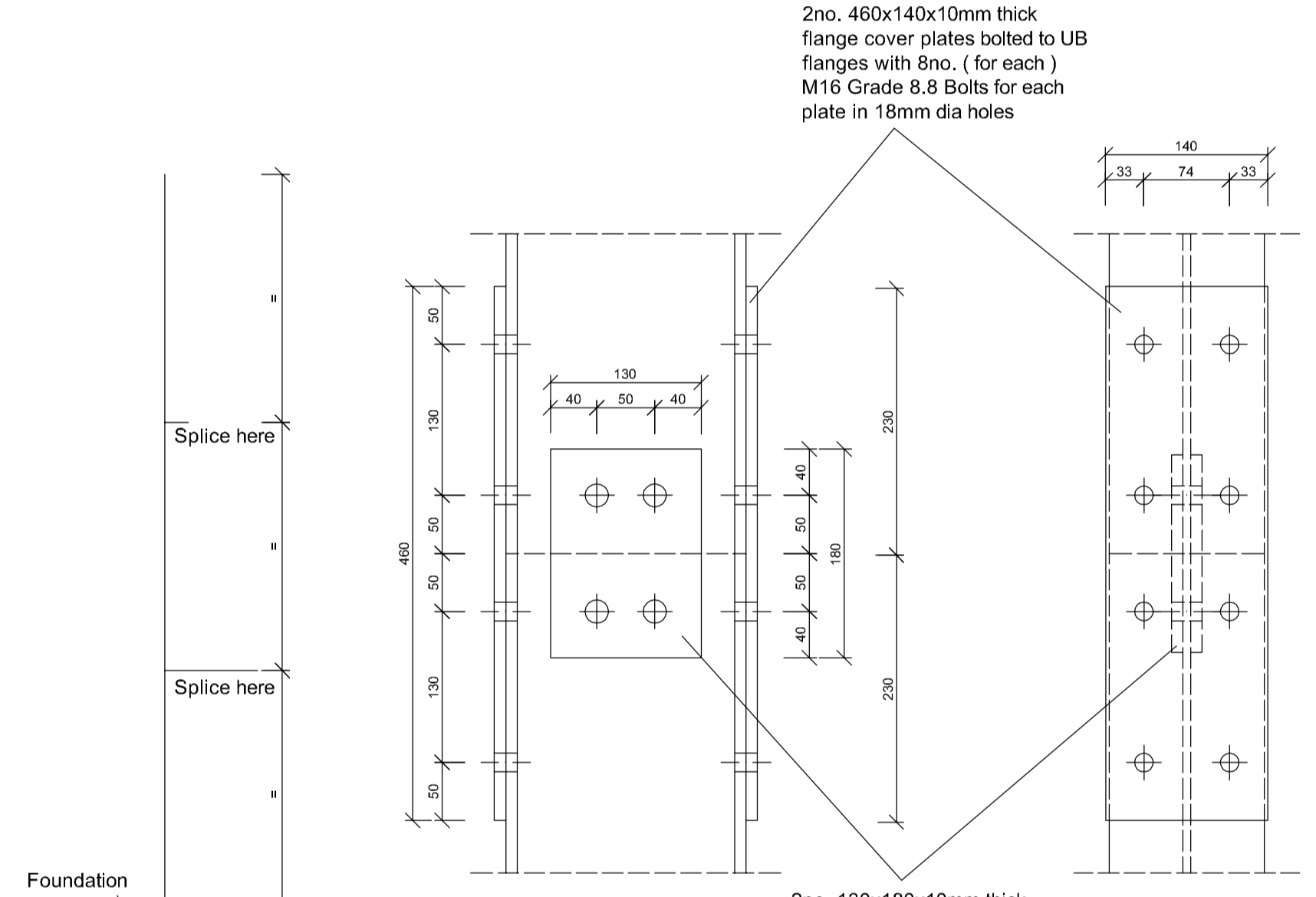
Notes:
 Strip RC Foundation - 1200x250mm depth
 Concrete C25, Mesh A393.
 Cover to all reinforcement min 35mm.



DETAIL A (1:10)

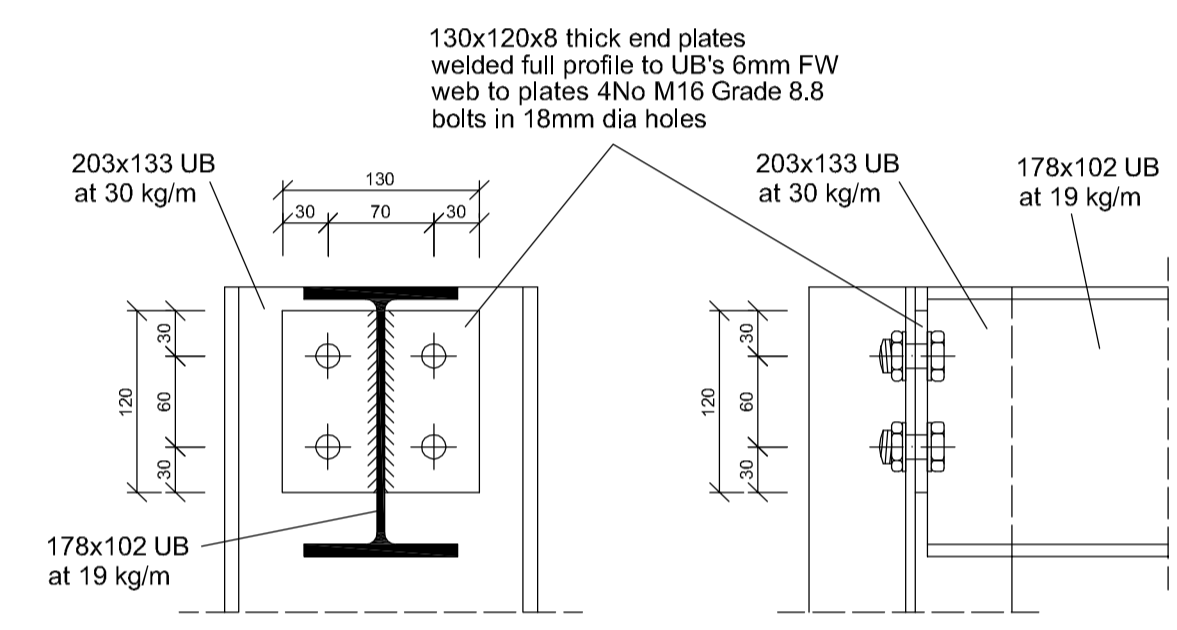


DETAIL B (1:5)

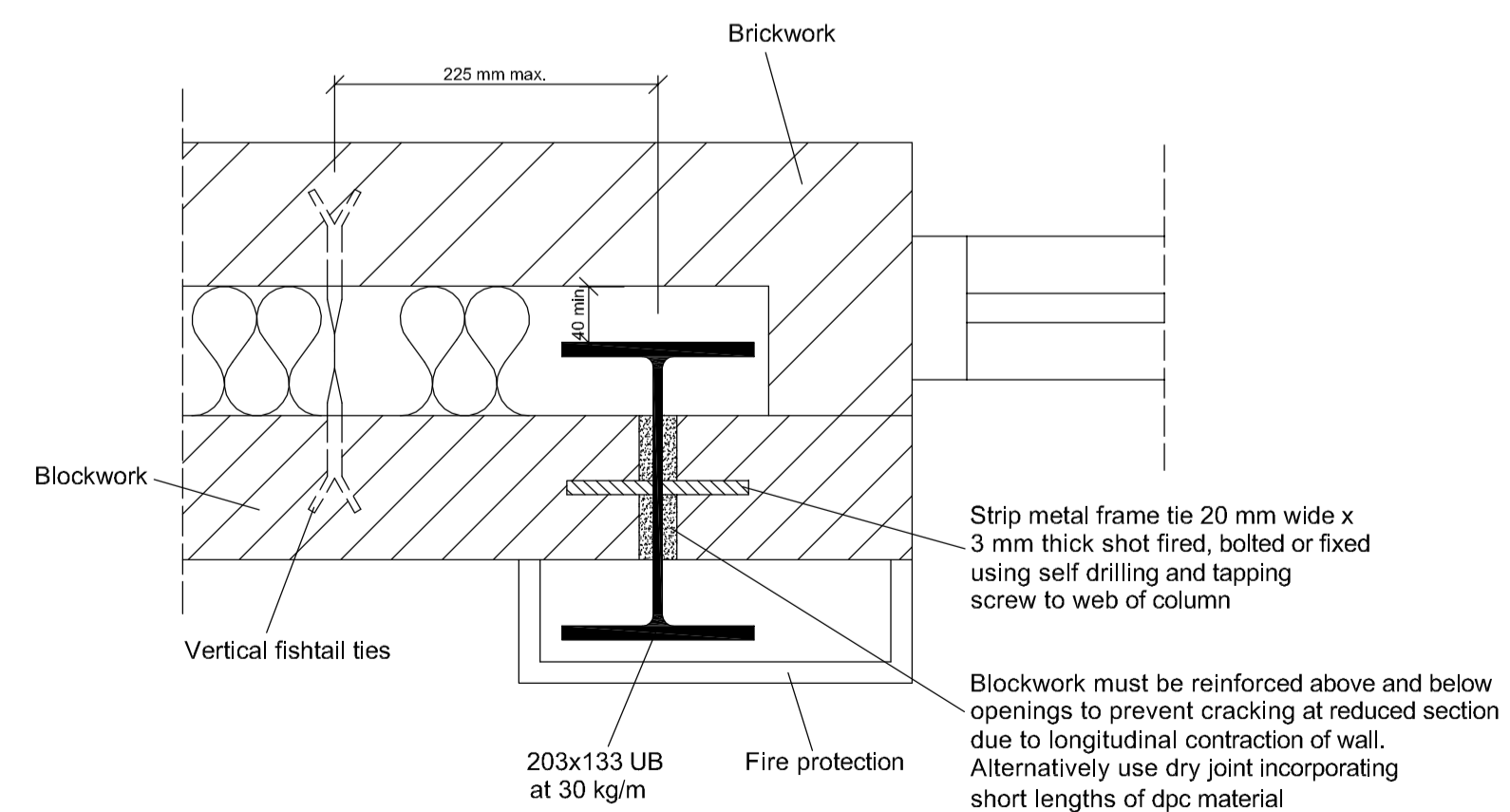
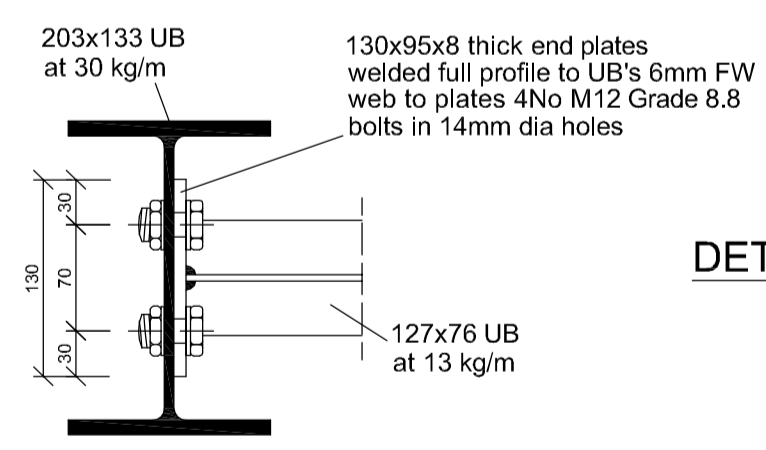


COLUMN SPLICES

COLUMN SPLICES DETAIL (1:5)



DETAIL C (1:5)



CONNECTION DETAIL - CAVITY WALL TO STEEL COLUMN (1:5)

Project:
**Proposed New Dwelling
 Steel Frame to Rear Glazing Details**

Scale:	1:10&1:5	Dwg. no:	Sheet 10 of 10	Ref. no:	A00
Drawn by:	M.C.	Date Drawn:	Jan-2007		